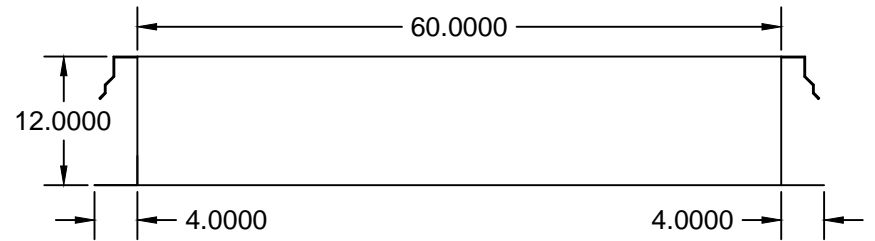
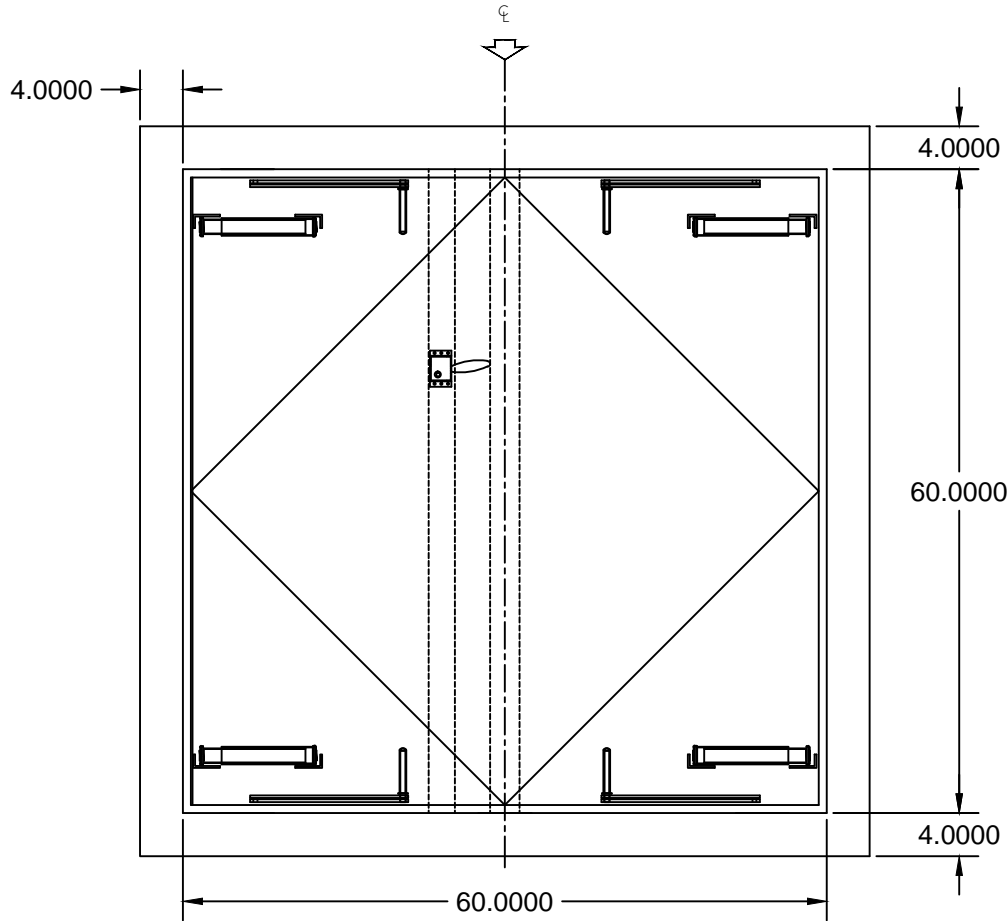


ROOF HATCH CURB DETAIL



SPECIFICATIONS:

INSIDE OPENING 5'0" x 5'0"

HEAVY DUTY INTERIOR/EXTERIOR
OPENING DEVICE WITH PADLOCK
PROVISIONS

GAS SPRING OPERATOR

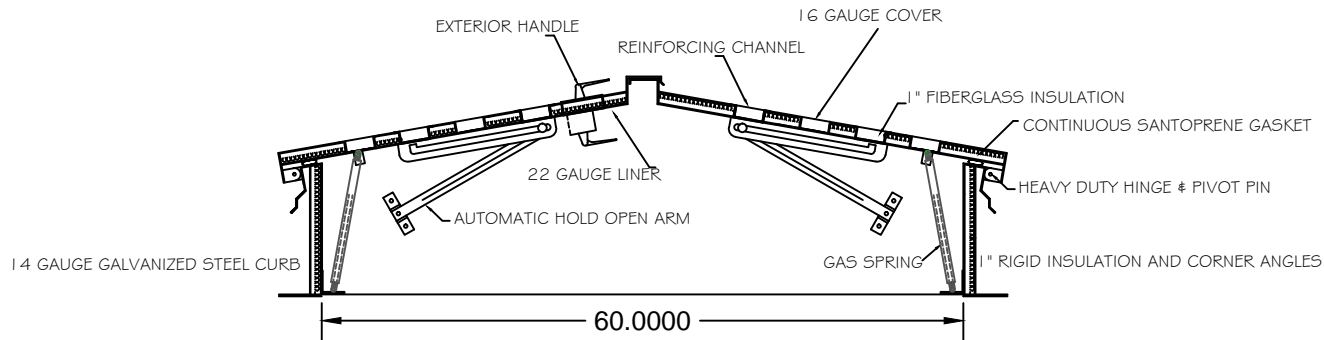
INSULATED LID WITH 22 GAUGE LINER

HEAVY DUTY HINGE ON 30" SIDE
WITH 3/8" PIVOT PINS

INSULATED 14 GAUGE NON-PITCHED
GALVANIZED STEEL CURB

12" CURB HEIGHT

ALL WELDED CURB CONSTRUCTION
CORNERS WELDED



CUSTOM CURB
1585 LOS ANGELES AVE
SATICOY, CA 93004
(805) 647-1200
jack@customcurbinc.com

JOB NAME:	ROOF PANEL:	MATERIAL: 14 GA GALVANIZED	
QUOTE #	ROOF PITCH:	QTY:	DATE: