

SPECIFICATIONS:

INSIDE OPENING 2'6" x 3'0"

HEAVY DUTY INTERIOR/EXTERIOR
OPENING DEVICE WITH PADLOCK
PROVISIONS

GAS SPRING OPERATOR

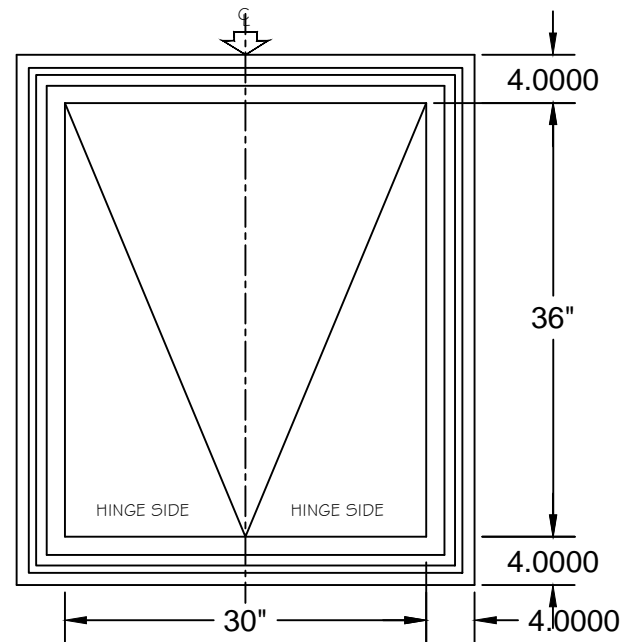
INSULATED LID WITH 22 GAUGE LINER

HEAVY DUTY HINGE ON 30" SIDE
WITH 3/8" PIVOT PINS

INSULATED 14 GAUGE NON-PITCHED
GALVANIZED STEEL CURB

12" CURB HEIGHT

ALL WELDED CURB CONSTRUCTION
CORNERS WELDED



CUSTOM CURB
1585 LOS ANGELES AVE
SATICOY, CA 93004
(805) 647-1200
jack@customcurbinc.com

JOB NAME: PACIFIC HYDROTECH	ROOF PANEL: N/A	MATERIAL: ALUMINUM	
QUOTE # 2691	ROOF PITCH: N/A	QTY: 1	DATE: 11/08/16