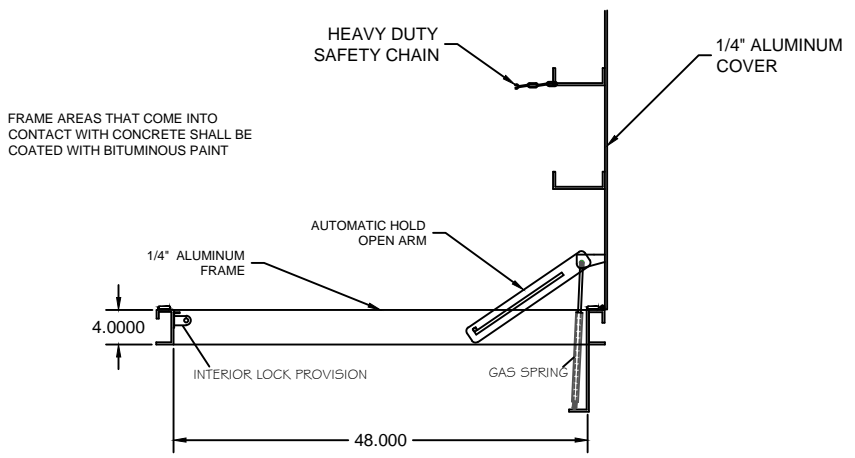
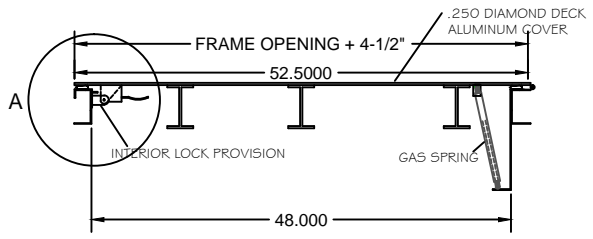


- SPECIFICATIONS:**
- OUTSIDE DIMENSION 48" x 48"
  - HEAVY DUTY INTERIOR/EXTERIOR OPENING DEVICE WITH PADLOCK PROVISIONS
  - GAS SPRING OPERATORS
  - .250 ALUMINUM DIAMOND DECK LID
  - HEAVY DUTY HINGE WITH 3/8" PIVOT PINS
  - .250 ALUMINUM CURB
  - 4" CURB HEIGHT
  - ALL WELDED CURB CONSTRUCTION CORNERS WELDED
  - TYPE 316 STAINLESS HARDWARE



FRAME AREAS THAT COME INTO CONTACT WITH CONCRETE SHALL BE COATED WITH BITUMINOUS PAINT

**CUSTOM CURB**  
 1585 LOS ANGELES AVE  
 SATICOY, CA 93004  
 (805) 647-1200  
 jack@customcurbinc.com

JOB NAME: PACIFIC HYDROTECH	ROOF PANEL: N/A	MATERIAL: VAIRES	
QUOTE #	ROOF PITCH: 0:12	QTY: 1	DATE: 11/08/16