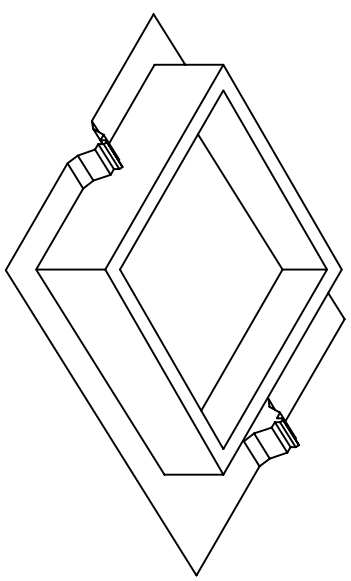
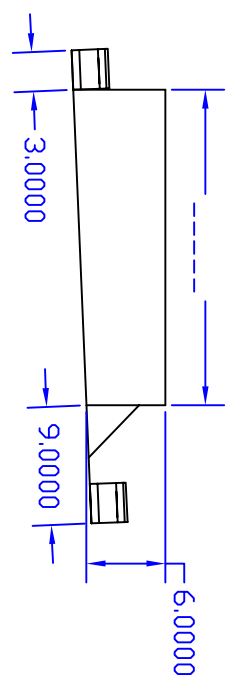
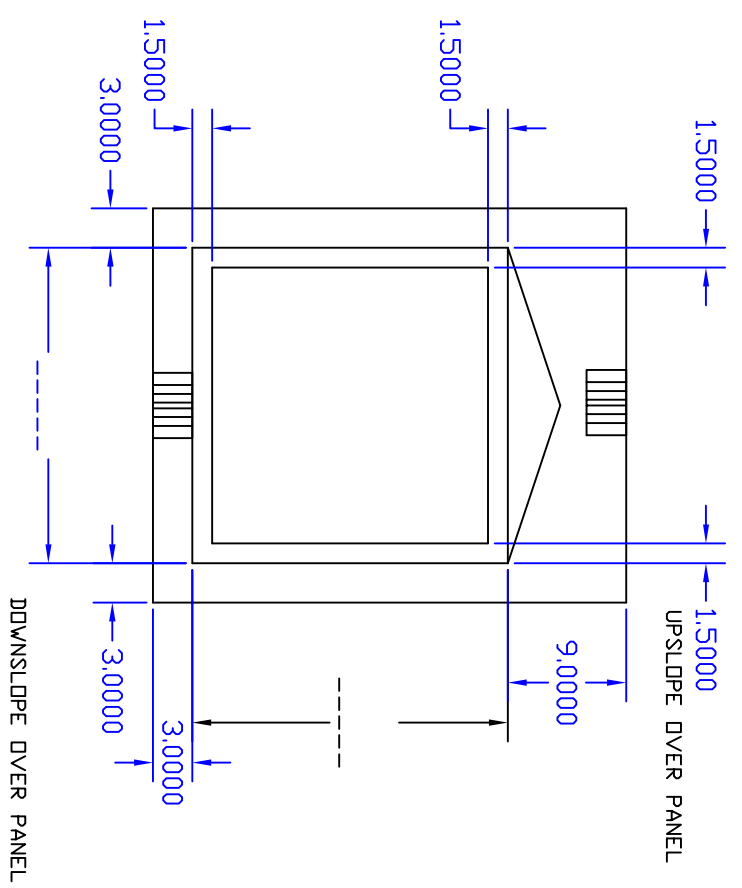


MODEL CMB1  
STANDING SEAM  
SLOPE MOUNT  
OVER/OVER



SPECIFICATIONS:

- .080 ALUMINUM
- PITCHED CORRECTED TO PROVIDE A LEVEL TOP
- 6' HEIGHT
- 1-1/2' TOP FLANGE
- ALL WELDED CONSTRUCTION
- UP-SLOPE FLANGE 'UNDER' CONTOURS AND CRICKET
- DOWN-SLOPE 'OVER' CONTOURS
- 3' SIDE FLANGES
- 1' INSULATION

OPTIONS:

- 14 GAUGE GALVANIZED CONSTRUCTION
- 18 GAUGE GALVANIZED CONSTRUCTION
- POWDER COAT FINISH
- SPECIAL HEIGHT
- WIDE FLANGES
- DAMPER SHELF
- MASTIC
- BUTYL SEALANT
- PREMIUM FASTENERS
- SUB-FRAMING

JOB NAME:	ROOF PANEL:	MATERIAL: .080 ALUMINUM	DATE:
QUOTE #	ROOF PITCH:	QTY:	

CUSTOM CURB  
1585 LOS ANGELES AVE  
SATICDY, CA 93004  
(805) 647-1200  
jack@customcurbinc.com