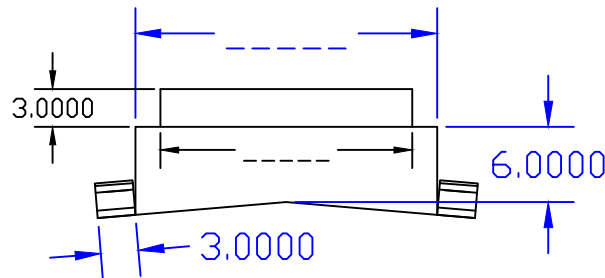
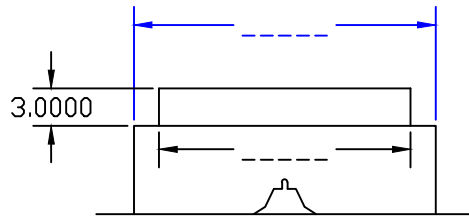
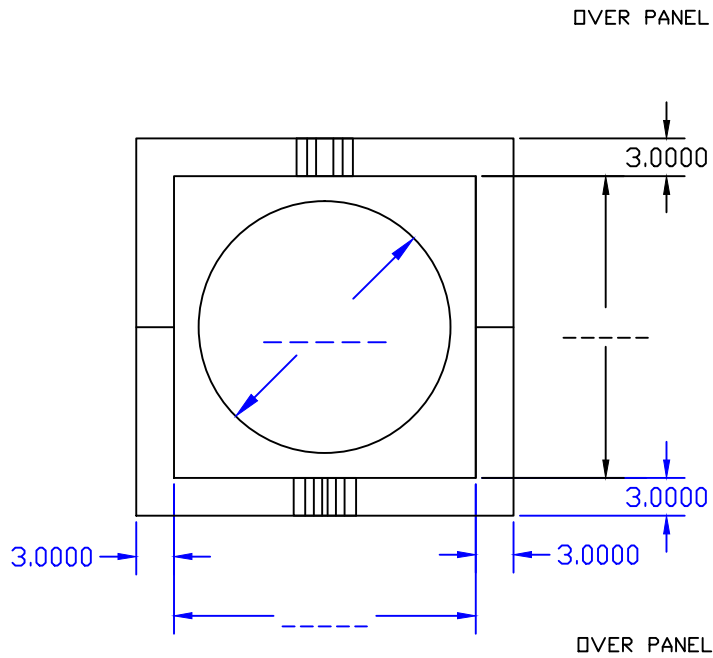


MODEL CMB1
 STANDING SEAM
 RIDGE MOUNT
 COLLAR TOP
 OVER/OVER

SPECIFICATIONS:

- .080 ALUMINUM
- PITCHED CORRECTED TO PROVIDE A LEVEL TOP
- 6" HEIGHT
- COLLAR TOP FLANGE
- ALL WELDED CONSTRUCTION
- 1" INSULATION



OPTIONS:

- ___14 GAUGE GALVANIZED CONSTRUCTION
- ___18 GAUGE GALVANIZED CONSTRUCTION
- ___POWDER COAT FINISH
- ___SPECIAL HEIGHT
- ___DAMPER SHELF
- ___MASTIC
- ___BUTYL SEALANT
- ___PREMIUM FASTENERS
- ___SUB-FRAMING

CUSTOM CURB
 1585 LOS ANGELES AVE
 SATICDY, CA 93004
 (805) 647-1200
 jack@customcurbinc.com

JOB NAME:	ROOF PANEL:	MATERIAL: .080 ALUMINUM	
QUOTE #	ROOF PITCH:	QTY:	DATE: